



Bundle Block **PARTS**

SHERMAN & REILLY, INC.

P.O. Box 11267 • 400 West 33rd Street
Chattanooga, TN 37401 USA

Phone 423•756•5300

Fax No. 423•756•2948

Toll-Free 800•251•7780

Web Site www.sherman-reilly.com



TABLE OF CONTENTS

Model HWA-70 Helicopter Block Inspection Procedure 1

32" Fixed Frame Slimline 8½" Centers Bundle Block (843-178). 2-3

28" Fixed Frame Slimline 8½" Centers Bundle Block with Head Bar (1222-368). 4-5

22" Fixed Frame 18" Centers Bundle Block (1 Piece Center Drum) (216550) 6-7

28" Fixed Frame 3 Conductor Offset Bundle Block (269-030). 8-9

Model HWA-70 Helicopter Attachment Assembly (Slimline Bundle Blocks) (247-031). 10-11

Helicopter Attachment 28" 3 Conductor Offset Bundle Block (163441) 12-13





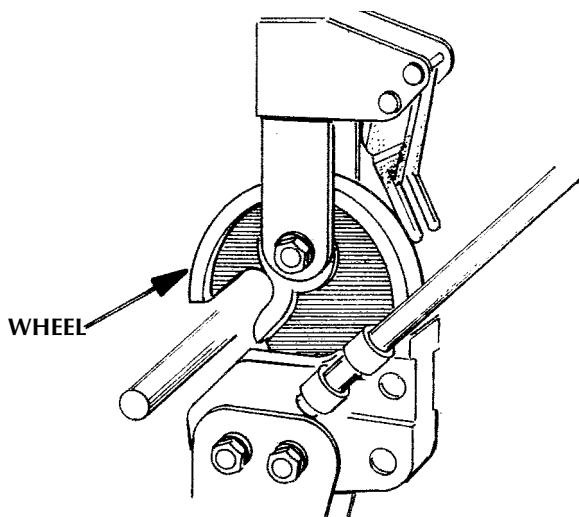
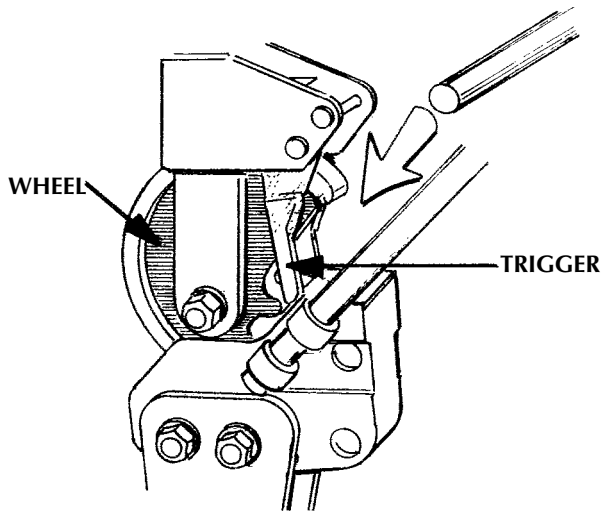
MODEL HWA-70 HELICOPTER BLOCK INSPECTION PROCEDURE

The block must be suspended in a level position approximately 3" off the floor, with the wheel in the lock position.

Use a small steel rod to trip the mechanism. Push the test rod past the trigger, into the slot on the wheel. The wheel should rotate immediately and smoothly. If the trigger hangs up or does not return check for damage, missing bolts or pins, damaged return spring.

CAUTION

This is a pinch point use care when performing the test.



Check the Conductor Guard for damage, missing nuts, bolts, pins or springs. They should remain in the closed position and open sharply when pressure is applied.

On bundle blocks, rotate each sheave separately; make sure they turn freely with no drag spots or rubbing. Inspect the lining to make sure it is not coming loose, has cuts, or excessive wear on the side or bottom of the groove. Make sure there are no cracks or damage to the sheave casting. Make certain Ball Lock Pins are locking, Check Socket Connector cotter pin, make sure it is not missing, look for wear or damage which would keep it from functioning correctly.

Check the frame for damage, make sure all bolts, nuts and pins are in place and secure.

Some models have sheaves with double seal bearings and require no lubrication, on those models with a grease fitting on the sheave hub, lubricate with (NLGI EP Number two Lithium Soap or Lithium Complex Grease.

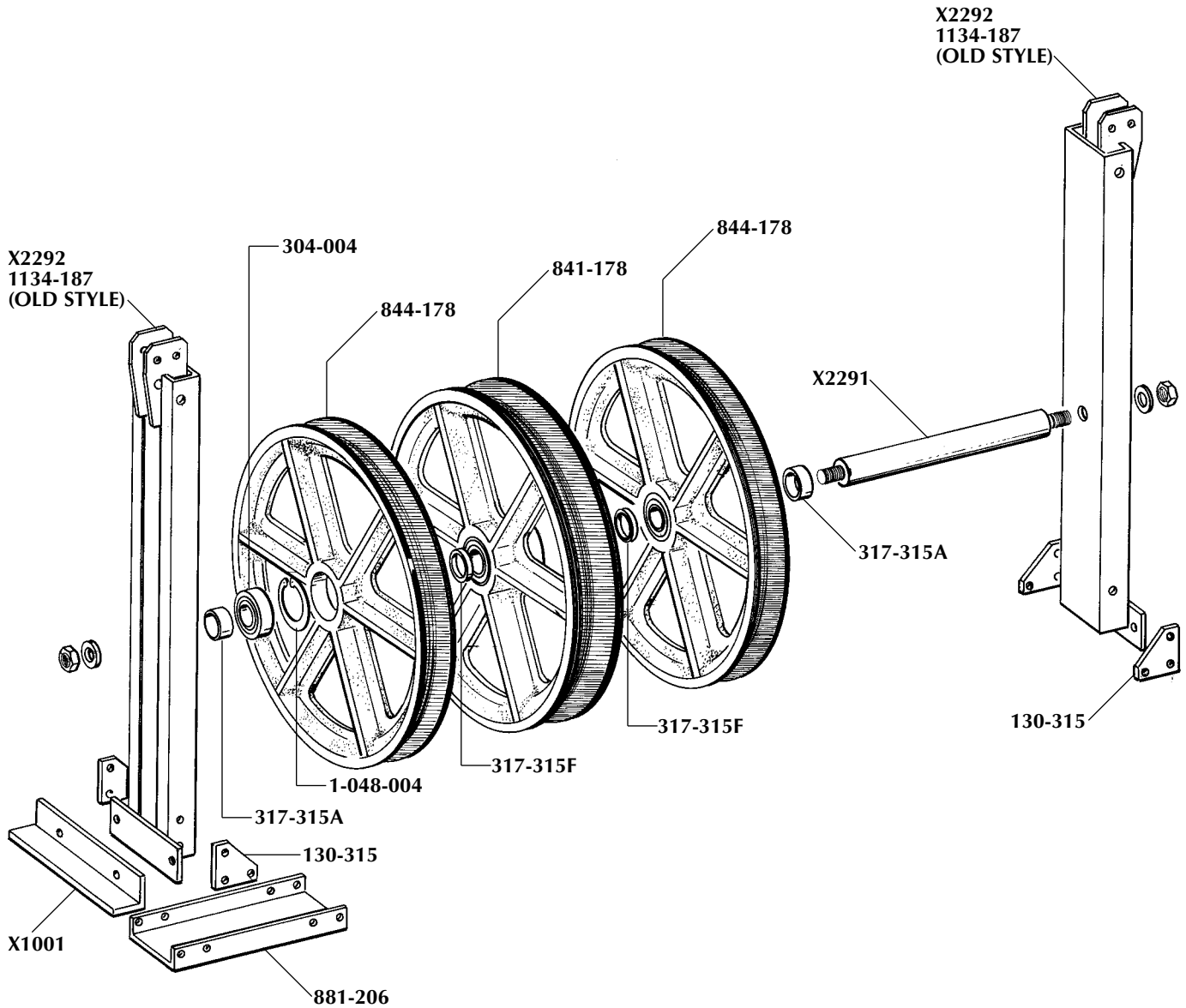
NOTE

Use caution; over lubrication may cause problems.

**32" FIXED FRAME SLIMLINE
8½" CENTERS BUNDLE BLOCK**



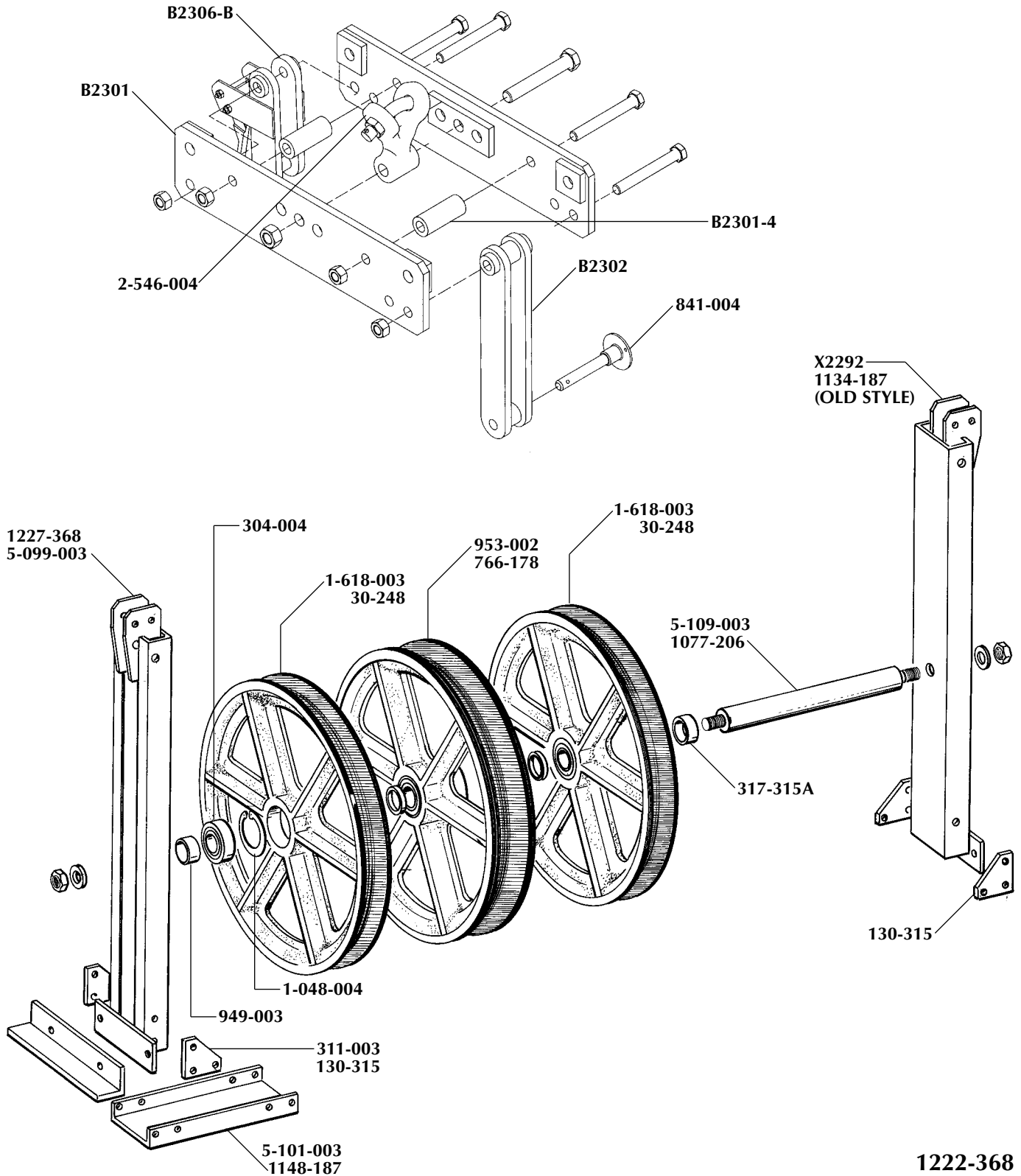
32" FIXED FRAME SLIMLINE 8½" CENTERS BUNDLE BLOCK



843-178

**28" FIXED FRAME SLIMLINE
8½" CENTERS BUNDLE BLOCK
WITH HEAD BAR**

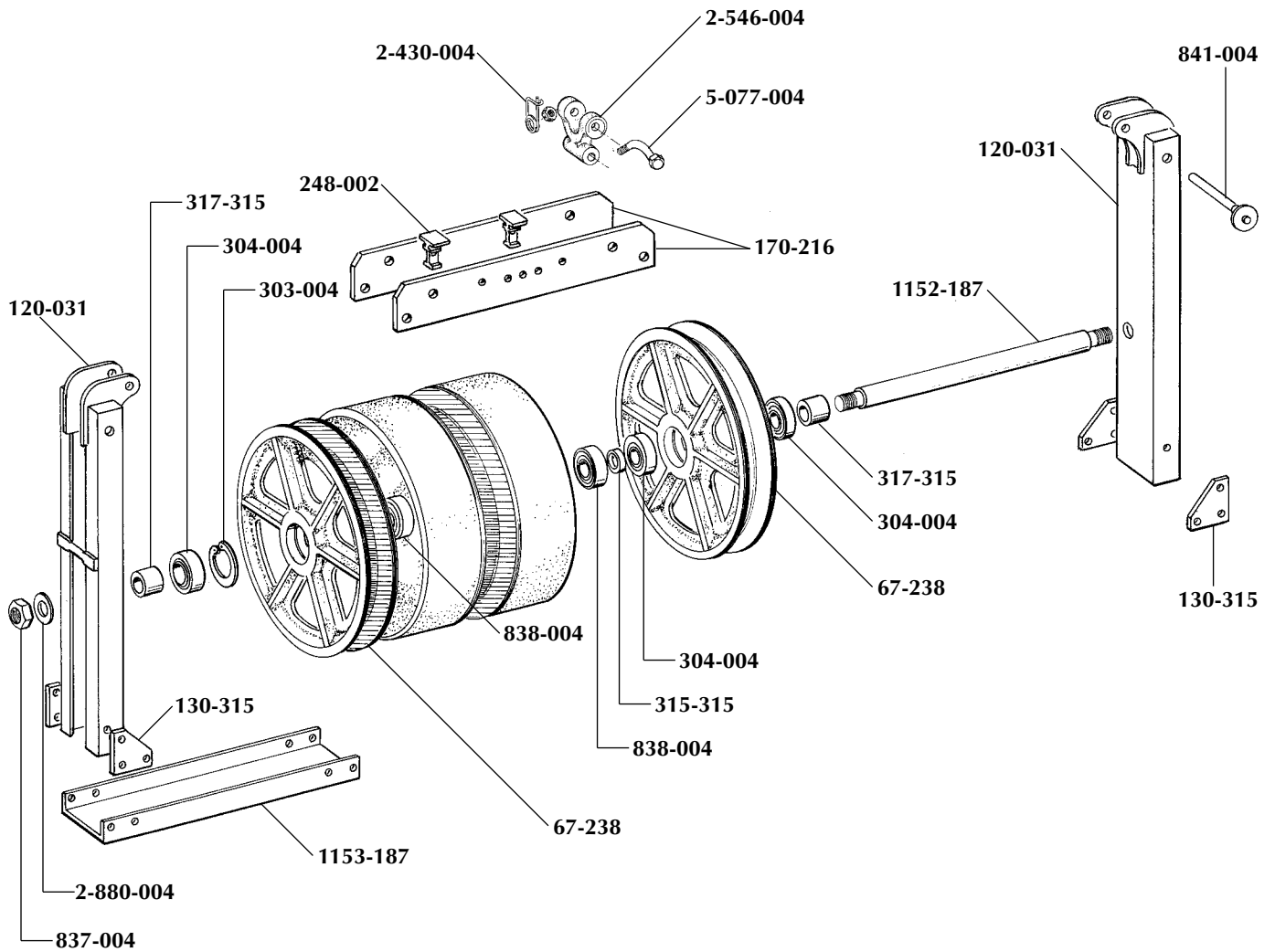
28" FIXED FRAME SLIMLINE 8½" CENTERS BUNDLE BLOCK WITH HEAD BAR



**22" FIXED FRAME 18" CENTERS BUNDLE BLOCK
(1 PIECE CENTER DRUM)**



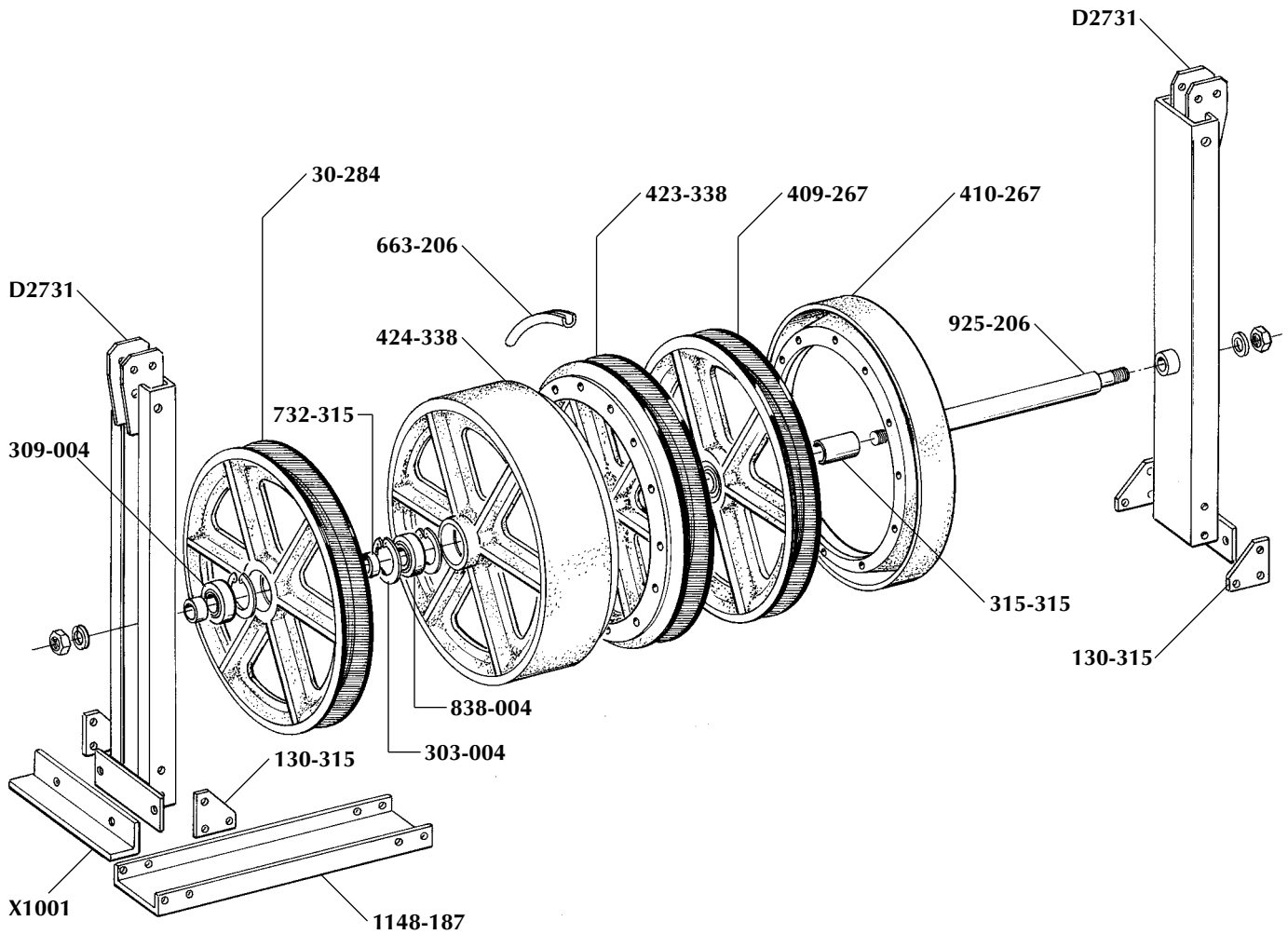
22" FIXED FRAME 18" CENTERS BUNDLE BLOCK (1 PIECE CENTER DRUM)



216550

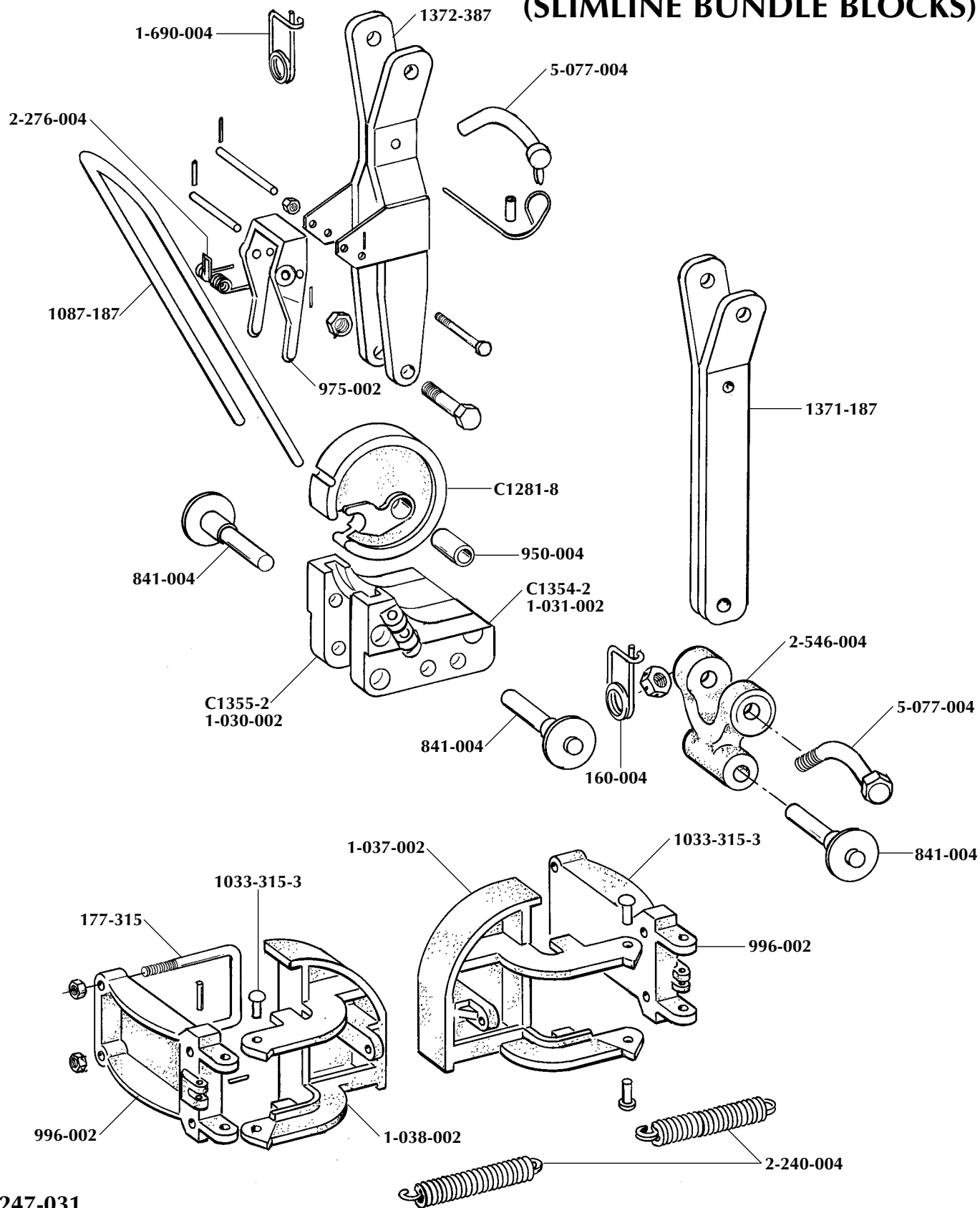
**28" FIXED FRAME 3 CONDUCTOR
OFFSET BUNDLE BLOCK**

28" FIXED FRAME 3 CONDUCTOR OFFSET BUNDLE BLOCK



**MODEL HWA-70 HELICOPTER ATTACHMENT ASSEMBLY
(SLIMLINE BUNDLE BLOCKS)**

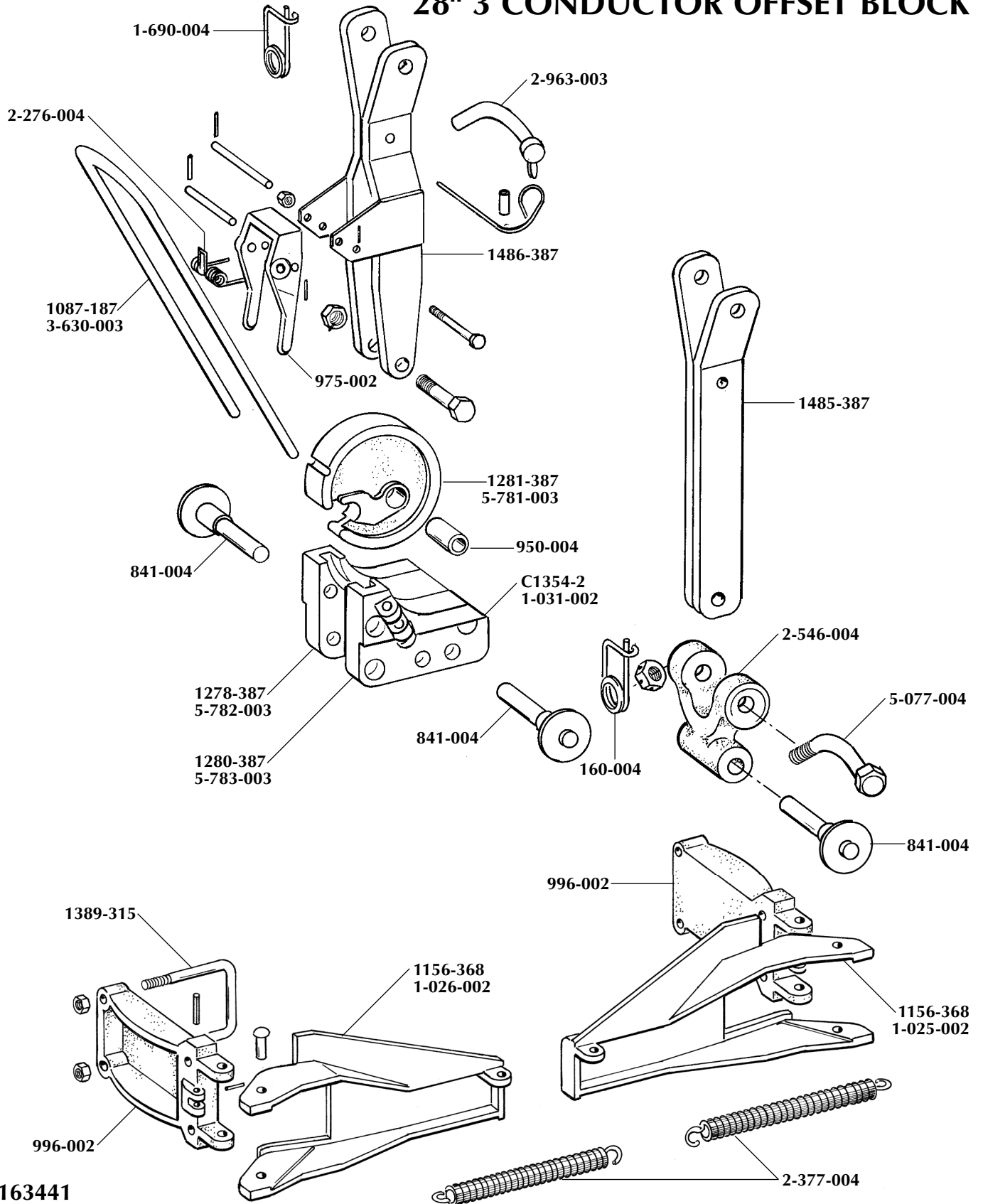
MODEL HWA-70 HELICOPTER ATTACHMENT ASSEMBLY (SLIMLINE BUNDLE BLOCKS)



247-031

**HELICOPTER ATTACHMENT
28" 3 CONDUCTOR OFFSET BLOCK**

HELICOPTER ATTACHMENT 28" 3 CONDUCTOR OFFSET BLOCK



163441





SHERMAN & REILLY, INC.

P.O. Box 11267 • 400 West 33rd Street
Chattanooga, TN 37401 USA

Phone 423•756•5300

Fax No. 423•756•2948

Toll-Free 800•251•7780

Web Site www.sherman-reilly.com