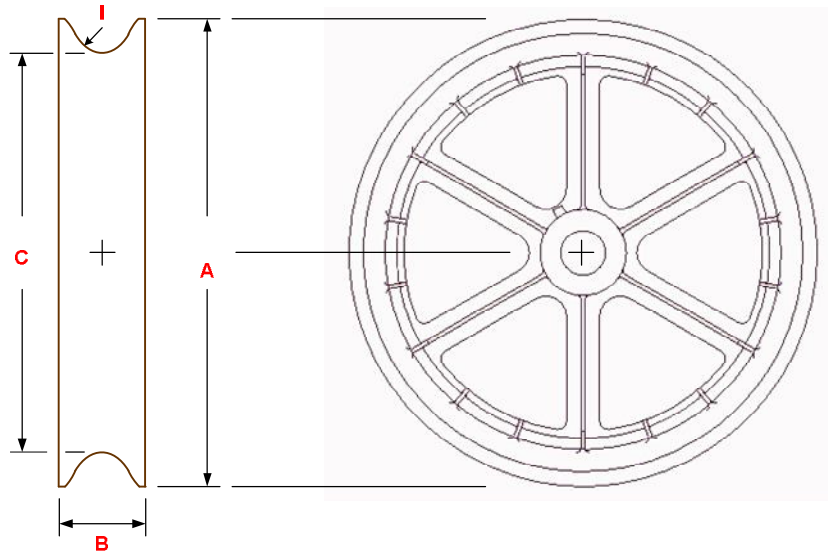


Dimensions of Sherman & Reilly Transmission Sheaves

The sheave dimensions below apply to all Sherman & Reilly transmission sheaves of the Series and types indicated. These sheaves are used on the indicated single-conductor blocks, as well as on bundle blocks and specialty blocks.



Transmission Sheave Dimensions & Specifications									
All Dimensions in Inches									
Size, Nom.	A Sheave OD	B Rim Width	C Gr. Bottom Dia.		I Groove Radius	Max. Conductor OD ¹	Material ²	Efficiency	Block-Series Compatibility
			PG ³	Lined ⁴					
10	10	1 ⁷ / ₈	7 ¹¹ / ₁₆	7 ¹⁵ / ₁₆	¹⁷ / ₃₂	Refer to IEEE Standard 524 (2003)	A356-T6 Aluminum (virgin)	98%	73 Series 74 Series Bundle Blocks ⁵ Specialty Blocks ⁵
12	12	2	9 ⁵ / ₈	9 ⁷ / ₈	¹⁹ / ₃₂				
14	14 ½	2 ¹ / ₈	12	12 ¼	²¹ / ₃₂				
16	16 ½	2 ¼	14	14	²³ / ₃₂				
20	20	3 ¹ / ₈	16	16 ¼	¹³ / ₁₆	Refer to IEEE Standard 524 (2003)	A356-T6 Aluminum (virgin)	98%	78 Series Bundle Blocks ⁵ Specialty Blocks ⁵
22	22	3 ¹ / ₈	18	18 ¹ / ₈	¹³ / ₁₆				
28	28	3 ¼	23 ¾	24	⁷ / ₈				
28-A	28	3 ¼	NA ⁶	24	1				
35	35	4	NA ⁶	30 ¼	1 ¹ / ₈				
42	42	4 ½	NA ⁶	36	1 ¹ / ₈				

Specifications subject to change without notice.

¹ This number must be calculated per the conditions under which the conductor will be strung.

² Excluding ball-bearings.

³ Polished groove.

⁴ Urethane or Neoprene.

⁵ As required and engineered.

⁶ Not Available. These sheaves are available only as lined sheaves, either urethane or Neoprene.