



SHERMAN & REILLY

400 West 33rd St. • Chattanooga, TN 37410, USA

Toll Free 1.800.251.7780 • Phone 423.756.5300 • Fax 423.756.2948

Web Site - <http://www.sherman-reilly.com> • E-Mail - sales@sherman-reilly.com

XS-100 SERIES

Universal Stringing Block

S&R MODEL XS-100-B

UNIVERSAL STRINGING BLOCK

Shown With Adjustable
Crossarm Bracket*



ON INSULATOR BRACKET

XS-100-B
Positive
Locking Model
On Crossarm



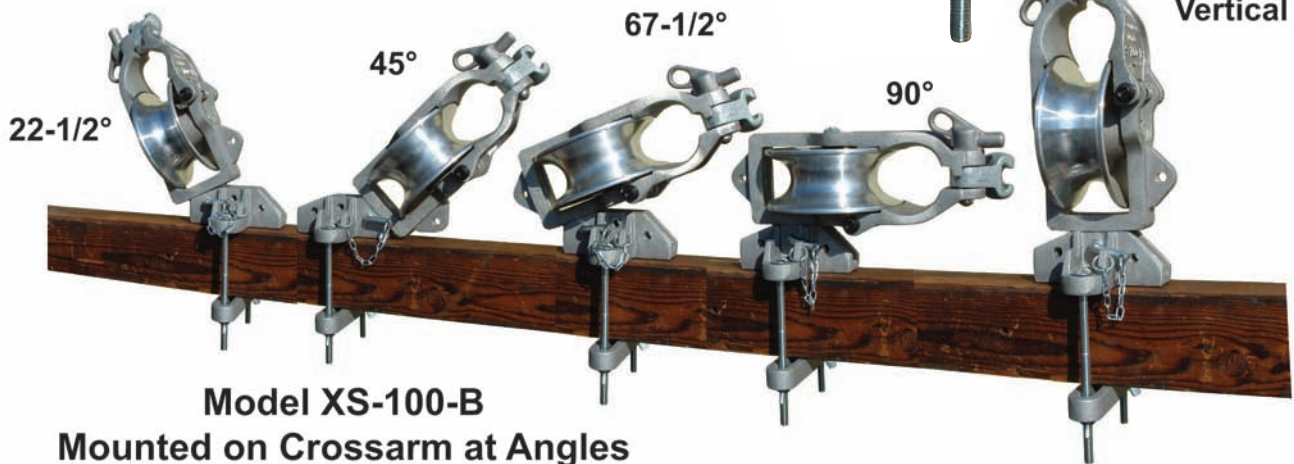
The most versatile conductor stringing block ever made. Can be used in suspension utilizing a high strength, hot dipped galvanized socket connector; or, used on crossarms thru 5" x 6" in five positions. 100% positive locking spring loaded head pin assembly has large loop for hot stick operation.

The XS-100-B is light but extremely rugged. Sheave and crossarm bracket base are permanent mold castings with heat treatment. Anti-friction ball bearings are lubricated for life of block under normal conditions.

Neoprene and Urethane linings are available — both provide a resilient cushion for the wire being strung. Urethane has tremendous abrasion resistance for unusually rugged applications.

Pages following illustrate the available accessory items.

***Note: Block available with or without crossarm bracket.**



Model XS-100-B
Mounted on Crossarm at Angles

XS-100 SERIES

SHERMAN & REILLY

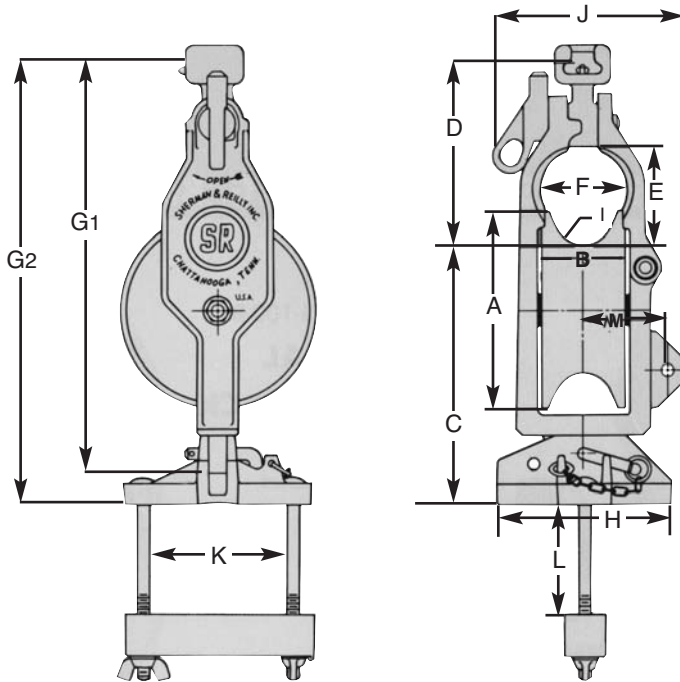
400 West 33rd St. • Chattanooga, TN 37410, USA

Toll Free 1.800.251.7780 • Phone 423.756.5300 • Fax 423.756.2948

Web Site - <http://www.sherman-reilly.com> • E-Mail - sales@sherman-reilly.com



Complete Dimensions



NOTICE

Sherman & Reilly, Inc. products are designed for use only with Sherman & Reilly component parts, attachments and accessories, and no other. Sherman & Reilly parts, accessories and attachments are designed for use only with Sherman & Reilly products. Use of Sherman & Reilly products, parts, attachments or accessories in conjunction with any other manufacturer's products, parts, attachments or accessories will void all express or implied Sherman & Reilly warranties, and Sherman & Reilly assumes no liability in connection with such use.

Size	Outside Sheave Dia.	Rim Width	Height Above Crossarm		Point of Connection to Bottom of Conductor		Throat			Overall Length		Width of Crossarm Bracket	Radius	Width at Widest Point	Maximum Crossarm Size		Sheave to Mounting Hole
			C		D		E	F	G ¹	G ²	H				I	J	
	A	B	*	**	*	**	*	**					I	J	K	L	M
7	7	3	9 1/8	9 5/16	6 11/16	6 1/2	3 5/8	3 7/16	3 1/16	14 11/16	15 13/16	6 1/4	1	7	5	6	3




- * Polished Groove Sheave
- ** Neoprene Lined Sheave
- *** Remains same with or without Neoprene lined sheave
- **** Maximum dimensions — adjustable for smaller arms
(Special crossarm bracket available for maximum 7" x 9 1/2" crossarm)

All Dimensions in Inches

COMPLETE SPECIFICATIONS

Size	Maximum O.D. of Conductor, In.	Maximum Working Load Limit, Lbs.	Block Weight Complete, Lbs.	Block Without Bracket, Lbs.
7	1 3/4	2,500	12 1/2	9 1/4

With Socket Connector only, Model XS-100-B

ADDITIONAL FITTINGS			
Model No.:	# 1 Hook	#6 Oval Eye	#8 Clevis

For Fittings Specifications See Page 5-18

*Dimensions, weights, capacities are approximate. Manufacturer's specifications subject to change without notice.



SHERMAN & REILLY

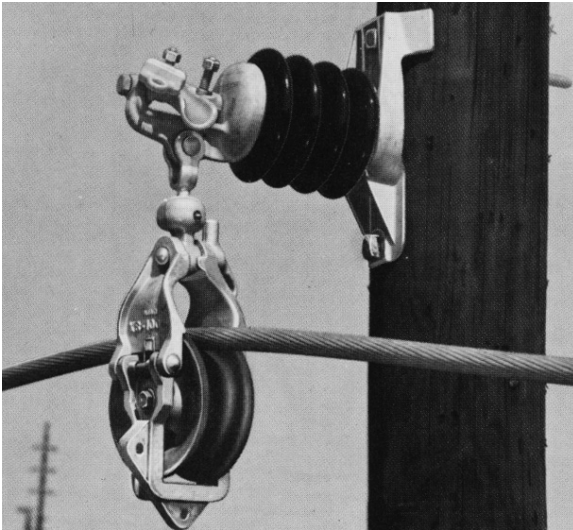
400 West 33rd St. • Chattanooga, TN 37410, USA

Toll Free 1.800.251.7780 • Phone 423.756.5300 • Fax 423.756.2948

Web Site - <http://www.sherman-reilly.com> • E-Mail - sales@sherman-reilly.com

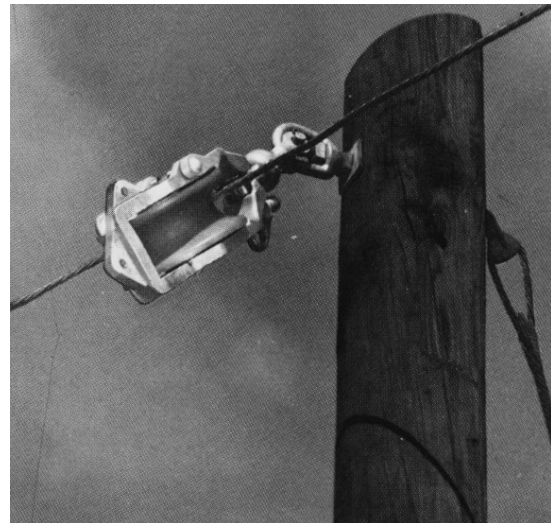
XS-100 SERIES

Universal Stringing Block



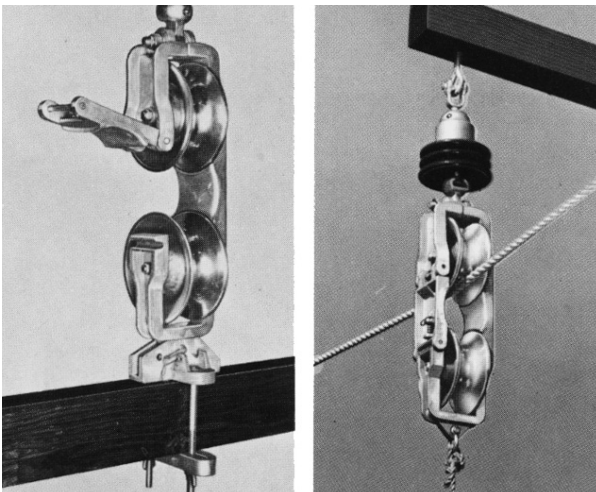
Model XS-100-B

Model XS-100-B Universal Stringing Block with No. 8 Ball Clevis Fitting used in suspension on Horizontal Line Post.



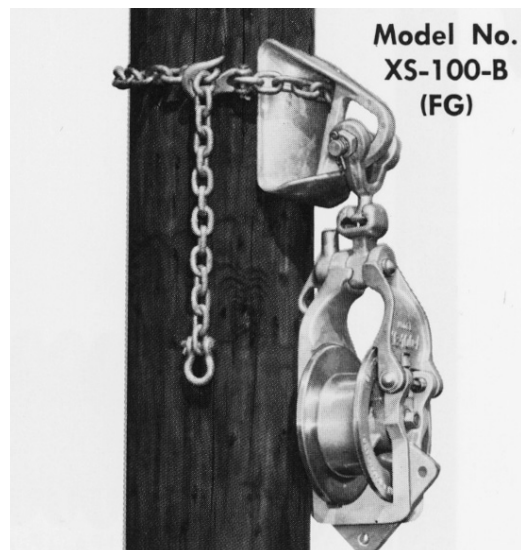
Model XS-100-B

Model XS-100-B used as a Static Wire Stringing Block shown with a No. 8 Ball Clevis Fitting. Also can be used with ball hook, Y-clevis, eye, etc. Works well on large transmission towers, too. Should usually be used with Urethane sheave lining or ductile iron.



Model XS-200

Model XS-200 Conductor Stringing Block has two sheaves that are the same as used in XS-100-B. The block is for uplift conditions and can be used either in suspension or on a crossarm. Side gate positively locks with spring plunger. Furnished with crossarm bracket. Shackle for hold down rope is accessory item and must be ordered separately. Maximum working load 2,500 lbs., weight 16 1/4 lbs.



**Model No.
XS-100-B
(FG)**

Model XS-100-B (FG) Flat Groove Sheave for pre-assembled parallel secondary cable. The flat groove sheave is interchangeable with regular XS-100 sheaves. Block is shown mounted on B-747 pole bracket, page 4-11.